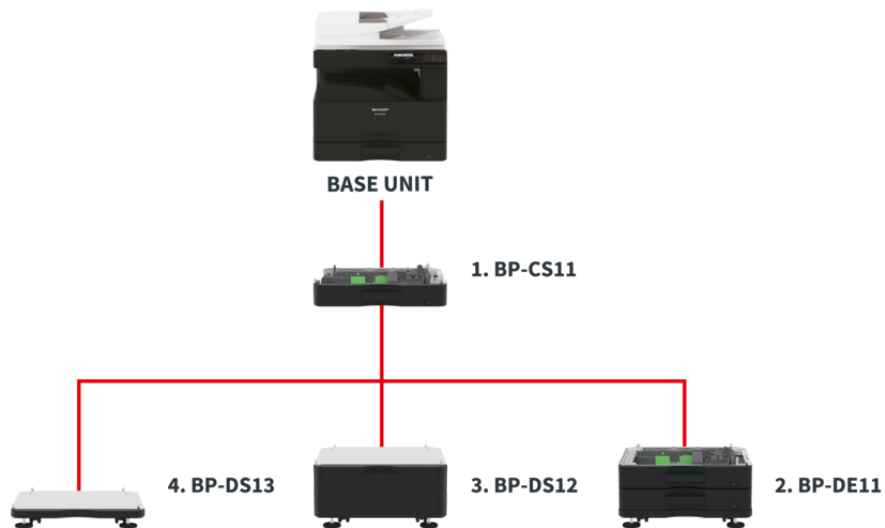
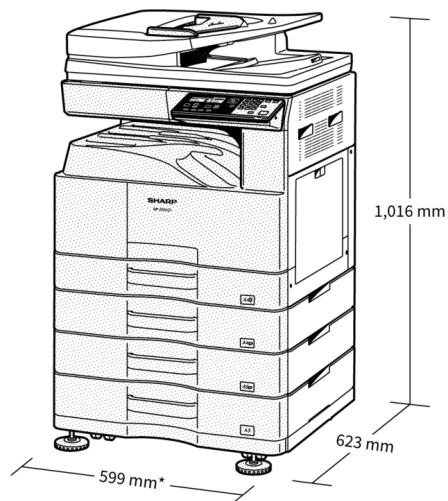


Configurations



Configurations may differ per sales region. Please contact your local Sharp representative for further information.

Dimensions



*Including adjuster.
909 mm when multi-bypass tray is extended.

Shown with optional equipment.

Dimensions are shown with optional equipment. Options may differ per region.

SHARP
Be Original.

Options

Base Unit

1. BP-CS11 500-Sheet Paper Drawer

500 sheets*, A3W – A5R (60 – 220 g/m²)

2. BP-DE11 Stand with 2 x 500-Sheet Paper Drawers

500 sheets* each for lower and upper trays, A3W – A5R (60 – 220 g/m²)

3. BP-DS12 High Stand

4. BP-DS13 Low Stand

* Number of sheets based on 80 g/m².

Note: If you install the MFP on the floor, Sharp recommends setting it up on a stand (BP-DS13, BP-DS12, or BP-DE11). This set-up also requires the BP-CS11.

Printing

MX-PK11 PS3 Expansion Kit

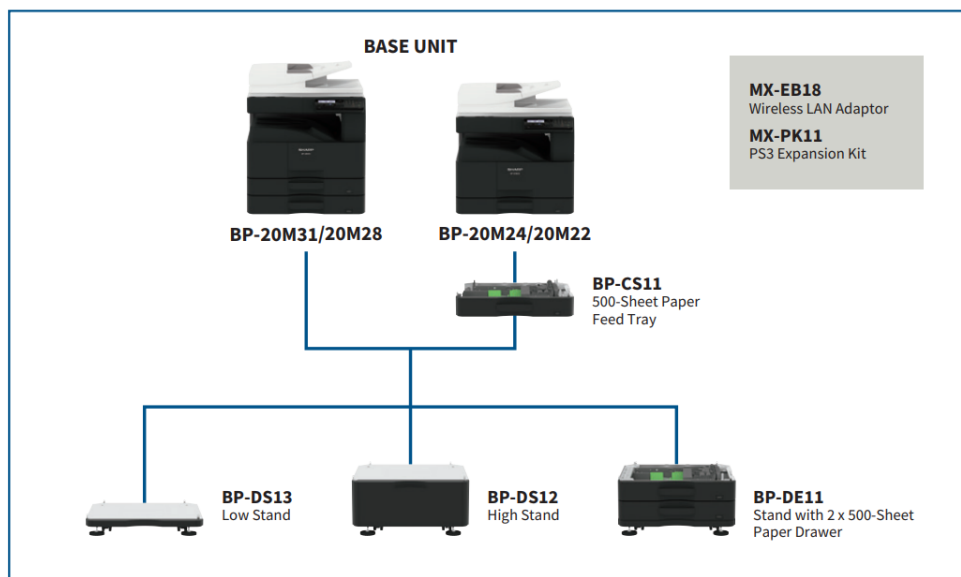
Adobe PostScript®3™ expansion kit

Connectivity

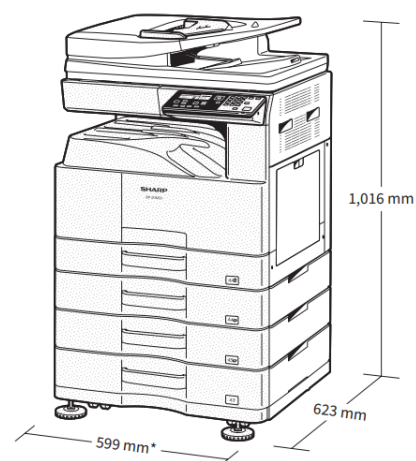
MX-EB18 Wireless LAN Adaptor

Enables connection to wireless networks

SYSTEM CONFIGURATION



Certain optional equipment may not be available in some areas.



*Including adjuster.
909 mm when multi bypass tray is extended.

Shown with optional equipment.