

CREALITY

CR-20 3D Printer

Newly 3D printer with upgraded chip and convenient function. Creality CR-20 3d printer, focus more on the quality, more simple but exquisite.





Newly 3d printer with upgraded
chip and convenient function

CR20 Focus more on the quality
More simple but exquisite



Integrated
one-piece
appearance

Humanized
design

High-quality
hardware

Highly
integrated
module

Patented
technology

Quick remove
self-adhesive
platform



PRODUCT PARAMETERS

Forming size	220*220*250mm
Platform size	235*235mm
Power	24v 270W
Power failure detection	Standard
Max nozzle temperature	260°C
Max hot bed temperature	110°C
Machine net weight	6.9KG
Package weight	10.1KG
Machine size	420*440*470mm
Package size	495*485*295mm
Power parameters	100/240V AC 50/60HZ

SIX ADVANTAGES

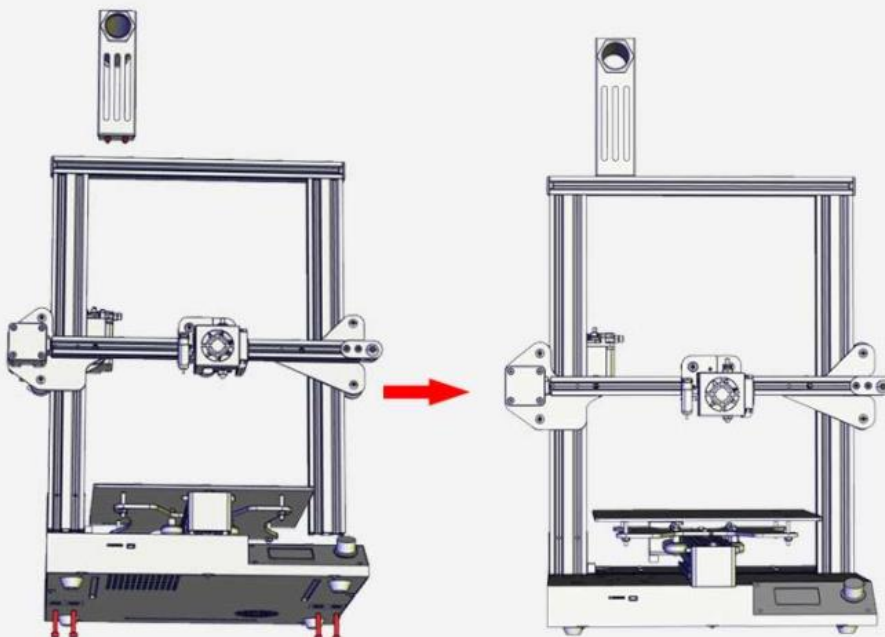


Integrated modular design , simple but generous



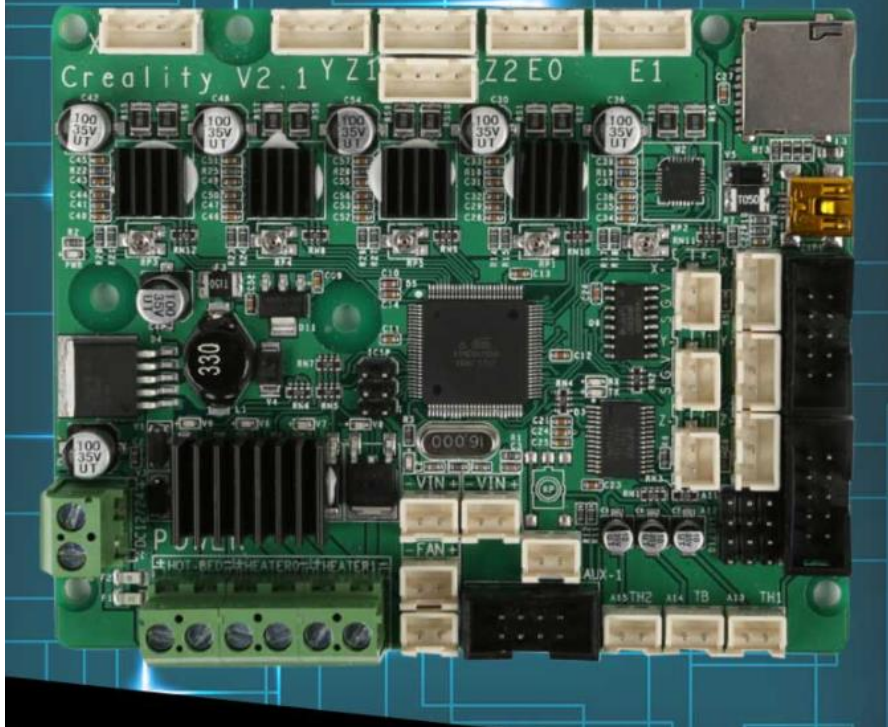
2 screws for quick installation

Two modules, just needs six screws and can be quickly installed



Creality3d V2.1 main board
Stable Printing speed

3



4

∠ 30° tilt display



∠ 30° tilt display

Humanized design, more convenient operation

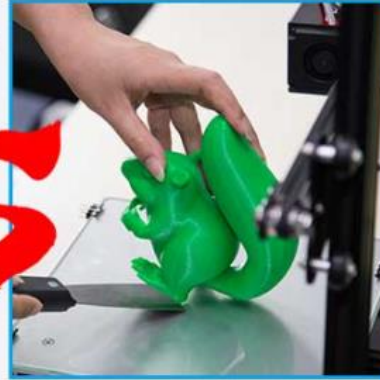
Self-adhesive platform,
more convenient to take the model

5



No blade, easy removal of model

VS



Need to use a blade to take the model

6

Resume print after powering-off

Add the power failure continued function to make sure
the model can be printed normally.



Print before the power-off



Finish printing

MACHINE DETAILS

High technology High quality
accessories highlight quality



Rigid Couplings



Mold large nut



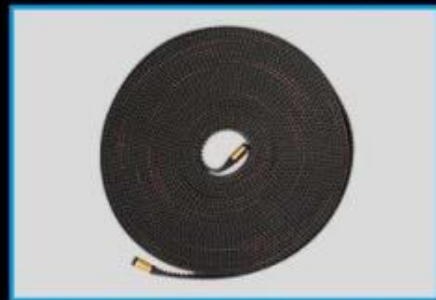
Brass nozzle



Long extrusion clamp



High quality power supply



High quality timing belt

3D Printers

MACHINE PACKING



PATENT CERTIFICATE

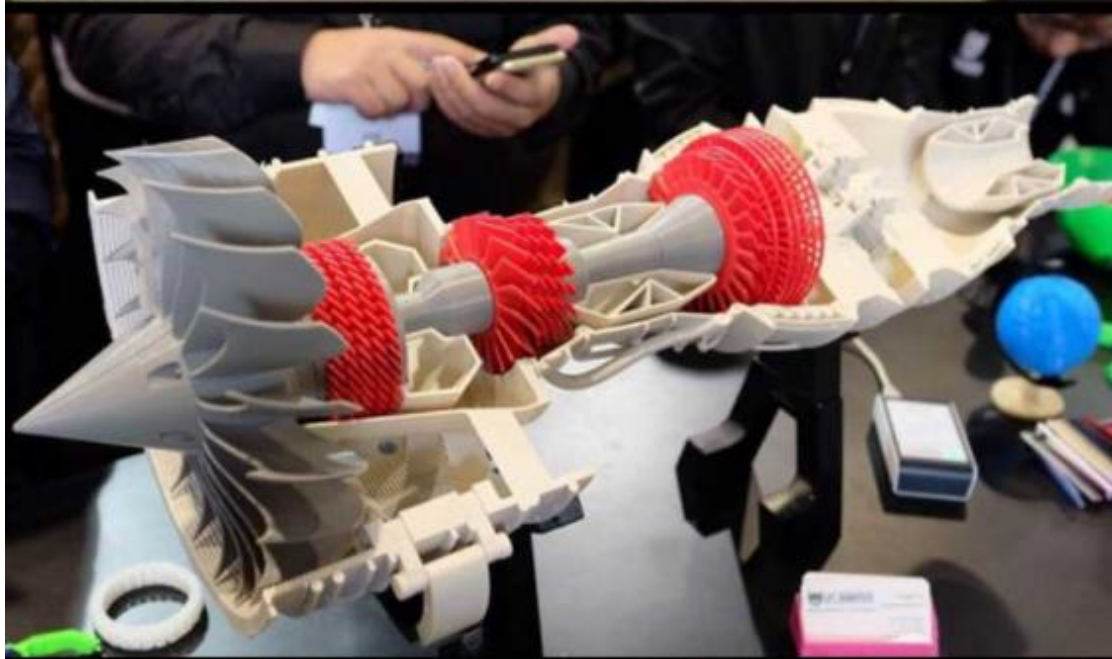
10

More than 10
patented



Patent No: ZL 2015 3 0147501.8 Patent No: ZL 2015 2 0331477.8 Patent No: ZL 2016 2 0024672.0
Patent No: ZL 2016 2 0004538.4 Patent No: ZL 2015 2 0331477.8 Patent No: ZL 2015 3 0147501.8
Patent No: ZL 2016 2 0083944.4 Patent No: ZL 2016 2 0024670.1

PRINT MODEL DISPLAY





**Only once formed,
by the post-coloring**

Statue

Printing parameters

printing layer: 0.1mm
printing speed: 60mm/s
printing size: 162*45*312mm

Creality CR-20 3D Printer

[Integrated modular design, simple but generous]: This Creality 3d printer designed with the integrated module, it is very simple but generous;

[2 screws for quick installation]: Creality CR-20 3D Printer, just two modules, just need six screws and can be quickly installed;

[Print speed]: Creality CR-20 3D Printer, using V2.1 mainboard, make the printing speed more stable;

[Self-adhesive platform]: Creality CR-20 3D Printer, with the self-adhesive platform, more convenient to take the model;

[Resume print after powering-off]: Creality CR-20 3D Printer, adds the power failure continued to function to make sure the model can be printer normally.